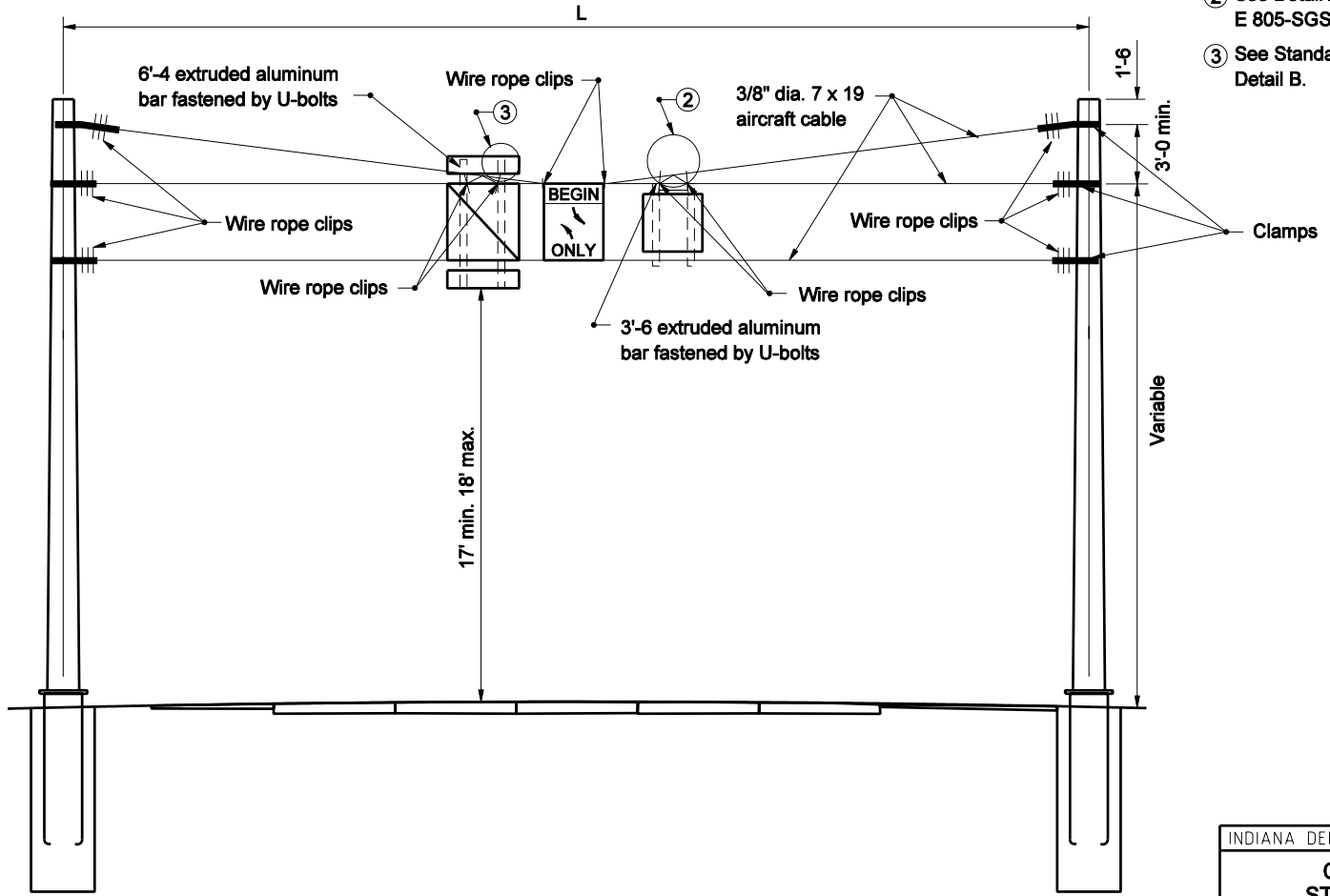


GENERAL NOTES

1. Sign centered over appropriate lane unless otherwise shown on cross section.
- ② See Detail A on Standard Drawing E 805-SGSC-04
- ③ See Standard Drawing E 802-SNCS-03 Detail B.

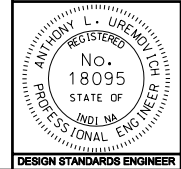


INDIANA DEPARTMENT OF TRANSPORTATION

**CABLE SPAN SIGN
STRUCTURE DETAILS**

SEPTEMBER 2005

STANDARD DRAWING NO. E 802-SNCS-01



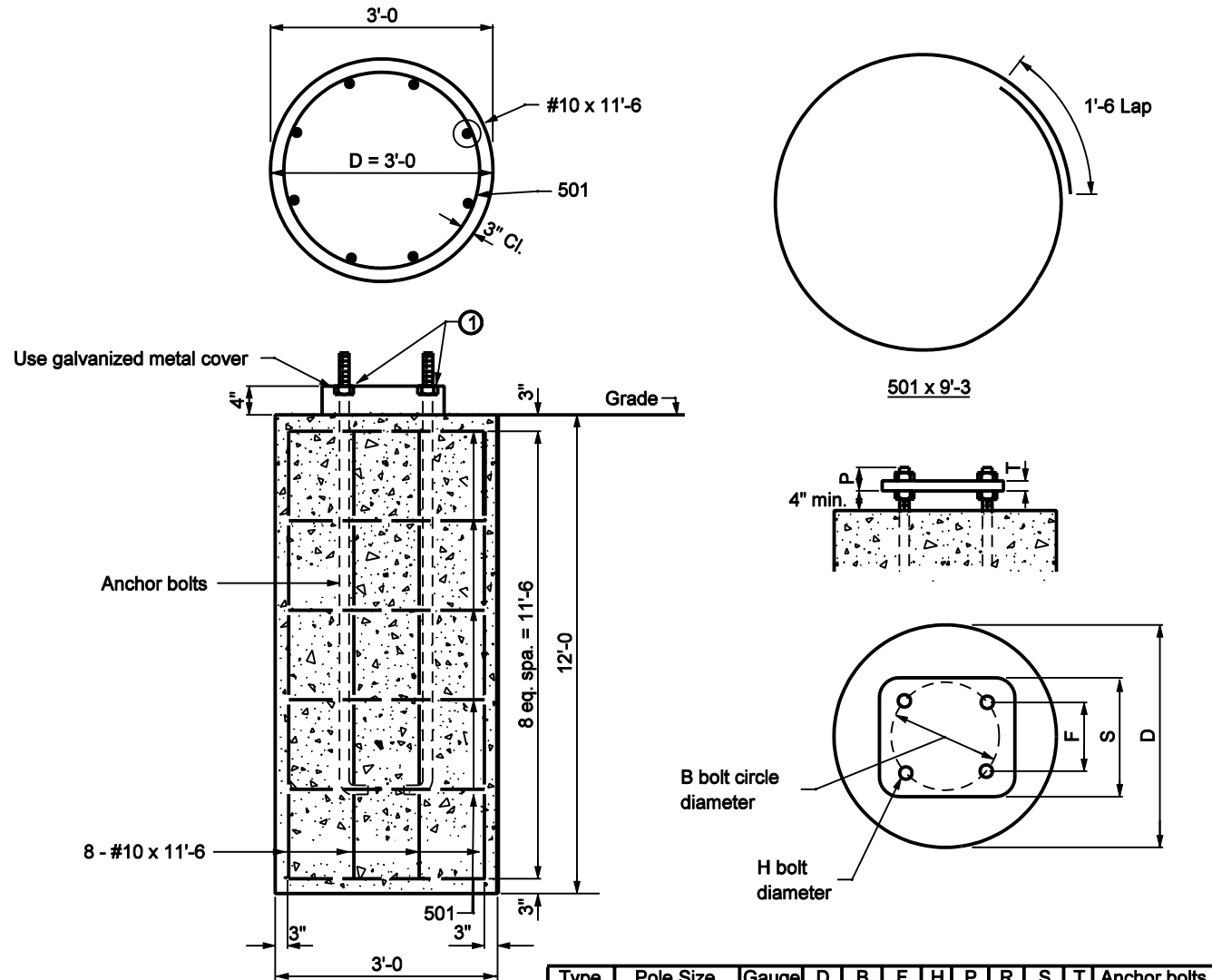
/s/ Anthony L. Uremovich 9-01-05
DESIGN STANDARDS ENGINEER DATE

/s/ Firooz Zandi 9-01-05
CHIEF HIGHWAY ENGINEER DATE

DESIGN STANDARDS ENGINEER

GENERAL NOTES

- ① Square nut under base plate for plumbing or raking pole.



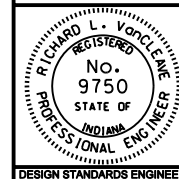
Type	Pole Size	Gauge	D	B	F	H	P	R	S	T	Anchor bolts
IV	12" x 24 ft	0	36"	16"	11"	2"	3"	3"	17"	2"	1" x 7'-6
	14" x 26 ft	0	36"	20"	14"	2"	4"	4"	20"	2"	2" x 8'-0
	15" x 30 ft	0	36"	22"	15"	2"	4"	4"	23"	2"	2" x 8'-0

INDIANA DEPARTMENT OF TRANSPORTATION

**CABLE SPAN SIGN
FOUNDATION DETAILS**

MARCH 2003

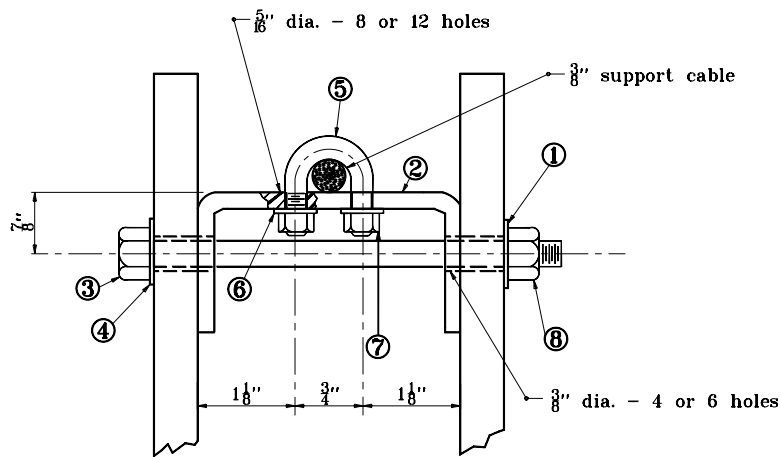
STANDARD DRAWING NO. E 802-SNCS-02



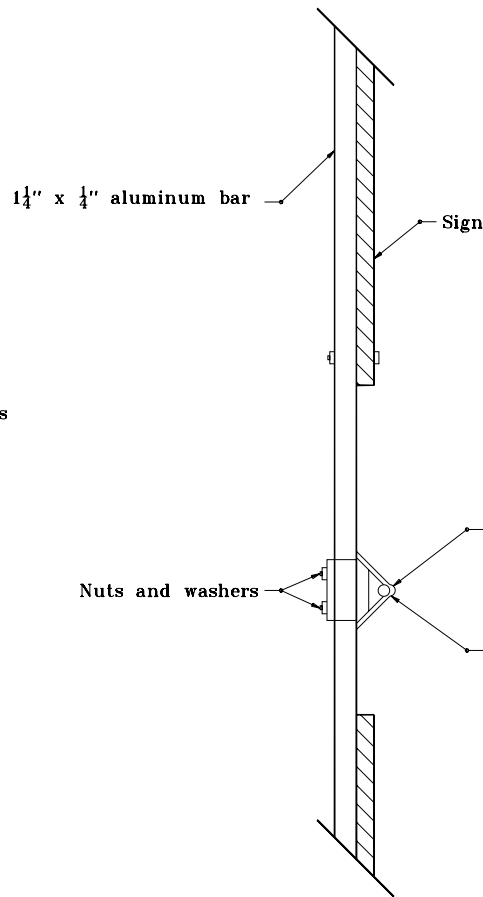
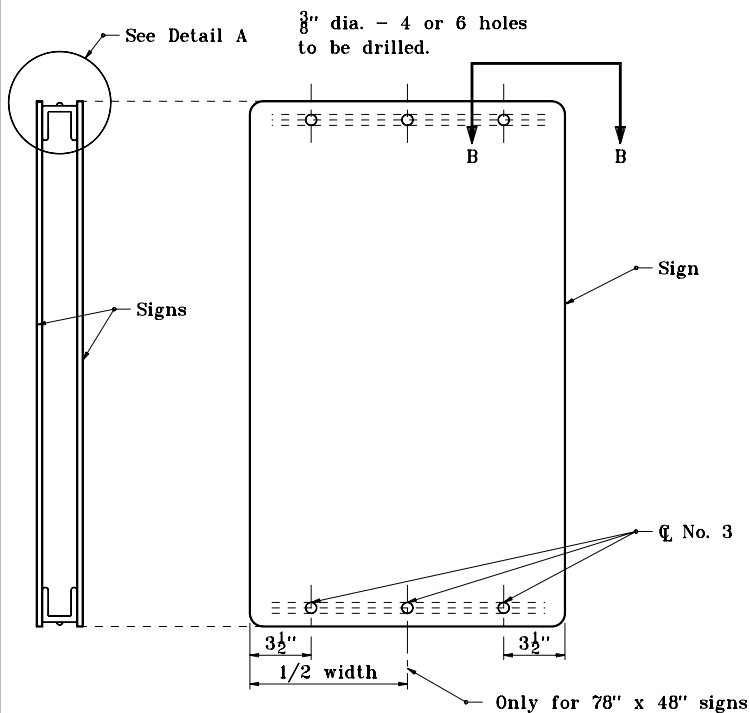
/s/ Richard L. VanCleave 3-03-03
DESIGN STANDARDS ENGINEER DATE

/s/ Richard K. Smutzer 3-03-03
CHIEF HIGHWAY ENGINEER DATE

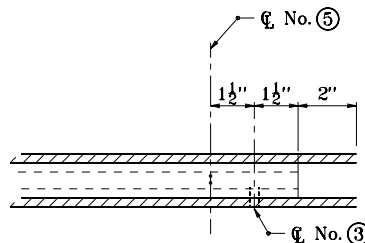
DESIGN STANDARDS ENGINEER



DETAIL A



DETAIL B



B-B TOP VIEW

PART No.	MATERIAL DESCRIPTION
①	5/8" nylon washer
②	3 x 4.1 steel channel
③	5/8 x 4" bolt
④	5/8" nylon washer
⑤	1/4" x 2 3/4" U bolt
⑥	1/4" lock washer
⑦	1/4" hex nut
⑧	5/8" lock nut

INDIANA DEPARTMENT OF TRANSPORTATION
**CABLE SPAN SIGN
 STRUCTURE DETAILS**
 SEPTEMBER 2001
 STANDARD DRAWING NO. E 802-SNCS-03

	/s/ Anthony L. Uremovich 9-04-01 <small>DESIGN STANDARDS ENGINEER DATE</small>
	/s/ Firooz Zandi 9-04-01 <small>CHIEF HIGHWAY ENGINEER DATE</small>

DESIGN STANDARDS ENGINEER